

Diverter Valve

Bulk materials are transported through conveying piping from one point to the other by means of a pneumatic conveying plant. In cases where there are different discharge points located at a distance from one another, the material must be diverted to these discharge points. The RULA Diverter valve can be used for this purpose.

The diverter valves are suitable for extremely abrasive, hot, very fine as well as coarse bulk materials.

Types Manufactured

The different types of valves are manufactured from laser cut parts to high tolerances:

- For the diversion of bulk minerals / materials
- For the Food Industry where strict hygiene standards must be met - Stainless Steel Construction

Design Features

- The wear protected shut off disk is spring loaded to ensure a optimum sealing surface at all times
- The primary seal plate is wear protected and ground to a very smooth finish ensuring a smooth and even operation at all times
- Inspection covers allow easy visual access to the wear and tear parts of the valve
- Ceramic lined outlet spouts can withstand extreme wear

Specifications

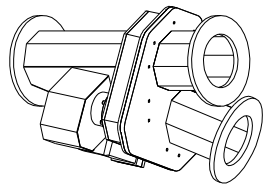
Main Valve Body	Mild Steel or Stainless Steel
Primary Seal	Hard wearing plate or Stainless Steel
Shut off disk	Hard wearing plate or Stainless Steel

Sizes

Valves are purpose made in a number of standard sizes to fit plant requirements
Drilling arrangement to suit plant interface

Operating & Maintenance

- The valves are Operator and Maintenance friendly
- A complete Operating & Maintenance manual is available

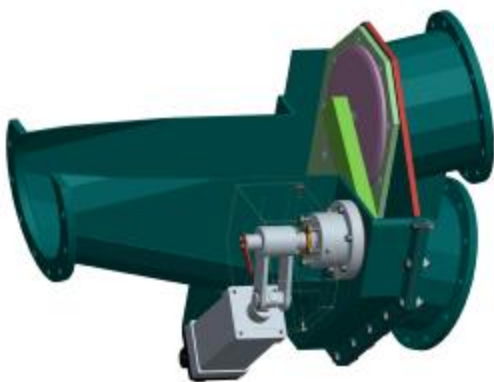


Isometric ▲

Silo Discharge Arrangement with Flow Control Valve ▼



200NB Stainless Steel Diverter Valve ►



Diverter Valve arrangement ▲



Typical Application ►