

Loading chute

RULA loading chute / system can handle cement, lime, gypsum, as well as various ores, fly ash, alumina, animal feeds, starch and other chemical and plastic raw material. The loading chutes are designed for loading rates of up to 250 tons/hour. Several loading chutes can be used simultaneously. The RULA chutes are supplied in various designs to suit individual applications, e.g. choice of loading height and wear-resistant components.

The double hose design ensures practically dust-free operation. The bulk material flows through the inner hose, while dedusting air is drawn through the space between the inner and outer hose and is passed through a bag filter.

Types Manufactured

RULA manufactures several different types of Loading / Telescopic Chutes:

- Coarse Bulk Material Loading chute (Double Hose assembly - inner hose with wear resistant steel inserts and outer hose of PVC coated synthetic material)
- Fine Bulk Materials Loading chute (Double Hose assembly)
- Wet Ash Loading chute (square telescopic)

Important Features

- Double Hose assemblies are manufactured from a robust PVC coated synthetic material
- Loading chute can fill tankers at various heights due to the built-in slack rope switch
- The closing cone prevents material leakage when the chute is lifted away from the tanker inlet.
- Tankers can be overfilled due to a high level probe located in the Lower Head arrangement, which will stop the flow of material

Specification

Double Hose:

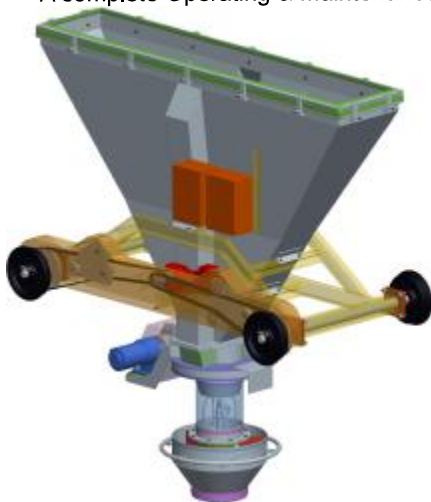
- Inner Hose (fine bulk material) Polyester fabric with PVC coating on both sides
- (coarse bulk material) Polyester fabric with wear resistant steel inserts
- Outer Hose Polyamide fabric, heat set

Sizes

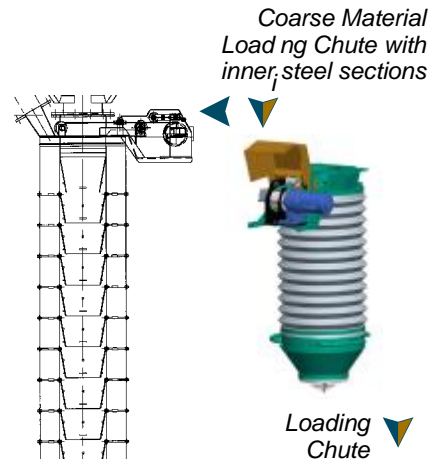
- Equipment are purpose made in any size to fit plant requirements

Operating & Maintenance

- The loading chutes are Operator and Maintenance friendly
- A complete Operating & Maintenance manual is available



▲ Loading Bogie arrangement



► Tanker being filled with Fly Ash



► Four Telescopic Truck Loading Chutes



► Emergency Truck Loading facility